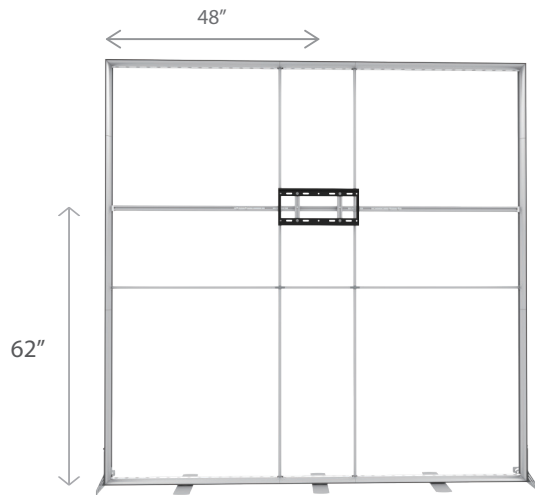


**Monitor Mount**  
BLM-TV-96-K



**PRODUCT DESCRIPTION**

Designed for compatibility with BrightLine and StraightLine Displays, these mounts deliver a captivating “floating” screen sensation. Simply slide the TV bar into the frame, secure the monitor plate with screws, and attach your screen on the front. Side feet are included in the kit for extra stability. Graphics can be finished with four small pre-cut slits for convenient access, or you can customize your own cutouts as required.





**MONITOR SPECIFICATIONS**

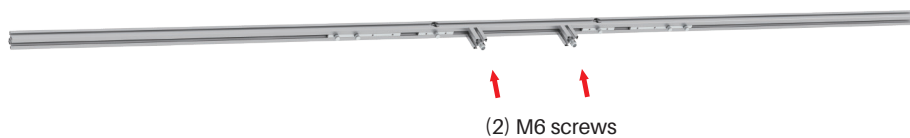
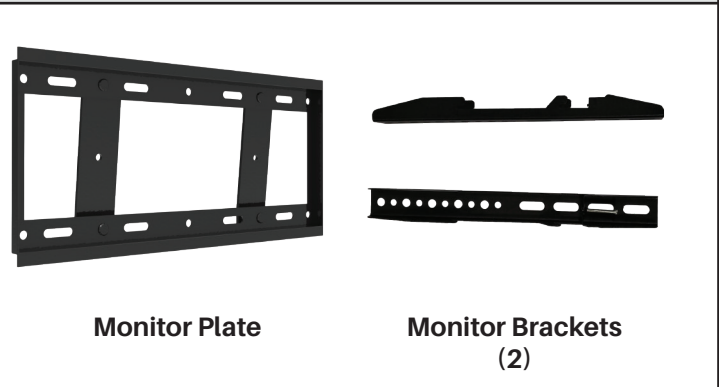
Holds monitors up to 25 lbs, VESA 200 X 200

**DIMENSIONS**

Shipping Box	14" w x 4" d x 42" h
--------------	----------------------

**PARTS**

(1x) Allen Key	 5mm
(4x) Bracket-to-Monitor Screws: M5, M6, & M8 screws included. Check your TV for specs	
Spacers	
Cutter	



(2) M6 screws

**TV Bar 96"**

**Side Foot (2)**

\*Philips Screwdriver not included

## PARTS INCLUDED

Adhesive Cable Clips (4x)



Reusable Velcro Cable Ties (5x)



Resealable Lock Bag



You will need 15ft Extension Cable

1

Connect the extension cable to your TV. Route cable inside the groove of the TV bar and use cable ties to secure in place.

2

Attach wire clips to the frame. Then route the cable through and secure within the clips.

3

Route cable through the bottom corner of the frame.

4

Secure the vertical end of the graphic first, adjust cable, then finish with the bottom of the fabric


# Monitor Mount

BLM-TV-96-K

# BrightLine

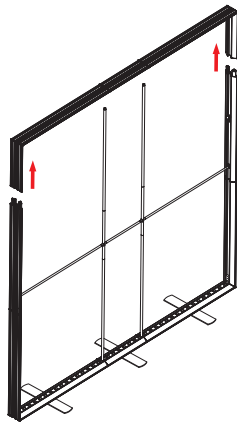
# StraightLine

1



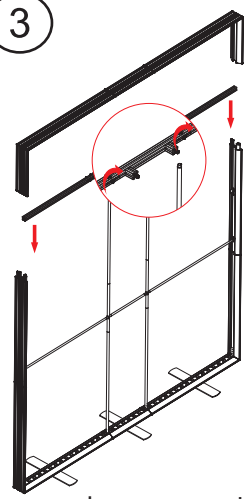
\* Tighten screws to secure bar together.

2



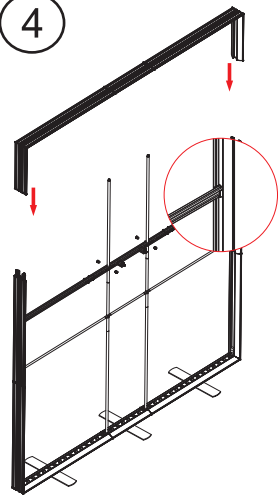
\* Loosen screws to insert center poles.

3

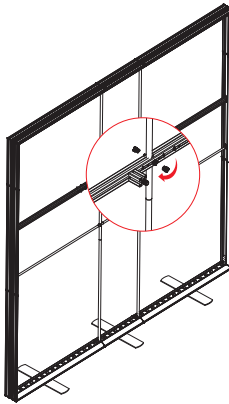


\* Loosen screws to insert center poles.

4

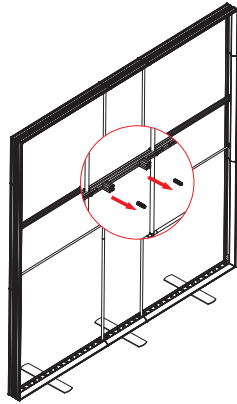


5



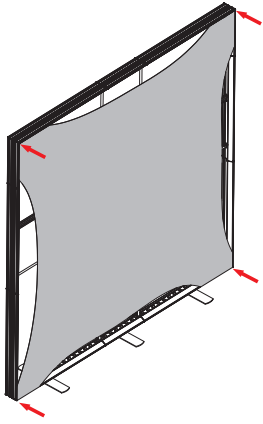
\* Tighten screws to pole.

6

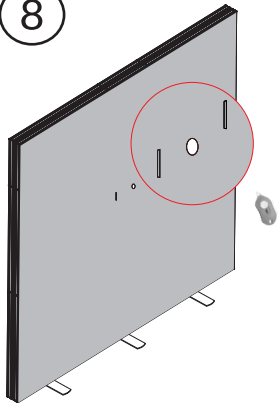


\* Remove M6 Screws from TV Bar, using Allen key.

7

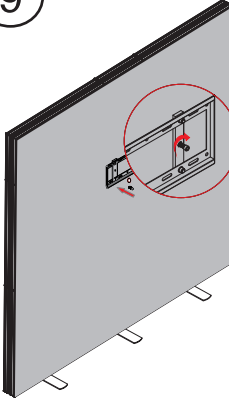


8



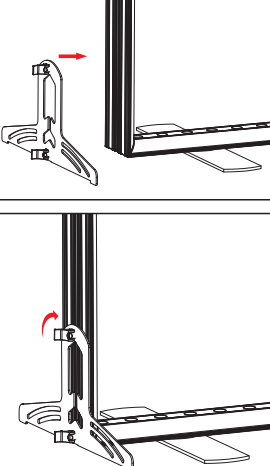
\* Use cutter to create a 1" vertical slit on fabric, where M6 screws fit on TV bar. Don't worry fabric will not run.

9

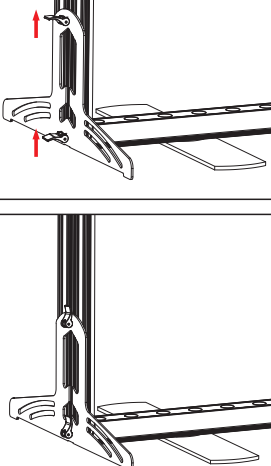


\* Attach monitor plate with M6 screws, using Allen key. Add spacers as needed.

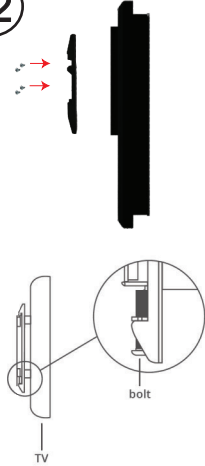
10



11



12



\* Attach brackets to monitor and hang on the plate.