

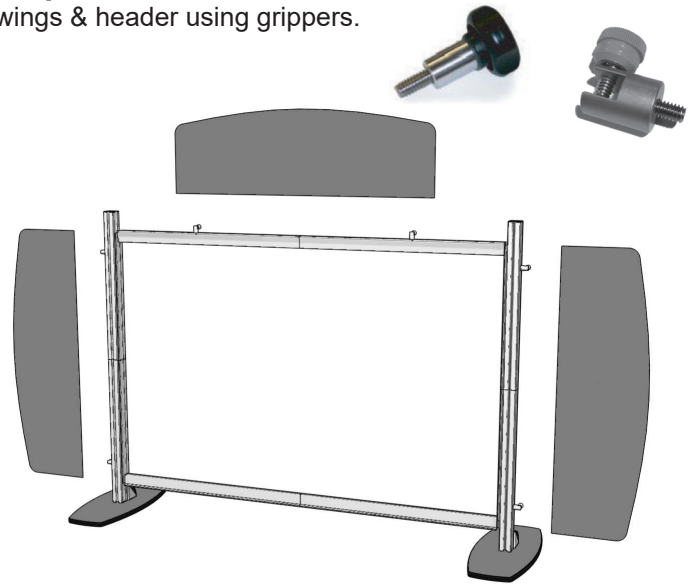
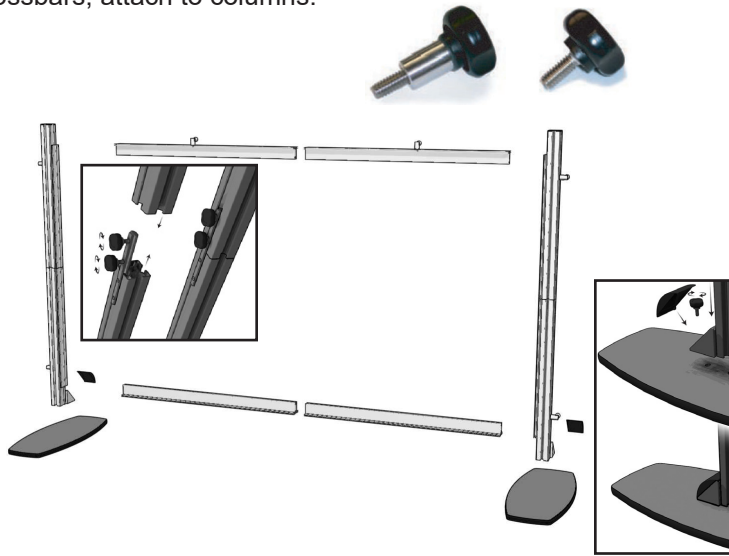
PARTS LIST

- A.) x2 - Bases
- B.) x1 - Header
- C.) x2 - Wings
- D.) x1 - Light Blocker
- E.) x1 - L= 22.5" Top Left Column
- F.) x1 - L=22.5" Top Right Column
- G.) x1 - L=22.5" Bottom Left Column
- H.) x1 - L=22.5" Bottom Right Column

- I.) x1 - SEG graphic
- J.) x1 - L=29.25" Top Left Crossbar
- K.) x1 - L=29.25" Top Right Crossbar
- L.) x1 - L=29.25" Bottom Left Crossbar
- M.) x1 - L=29.25" Bottom Right Crossbar
- N.)
- O.)

Step 1. Attach bases to bottom columns; attach top columns to bottom columns. Assemble 2-piece crossbars; attach to columns.

Step 2. Attach stem lights to top crossbar; secure wings & header using grippers.



Step 3. Attach SEG graphic and light blocker.

Complete

