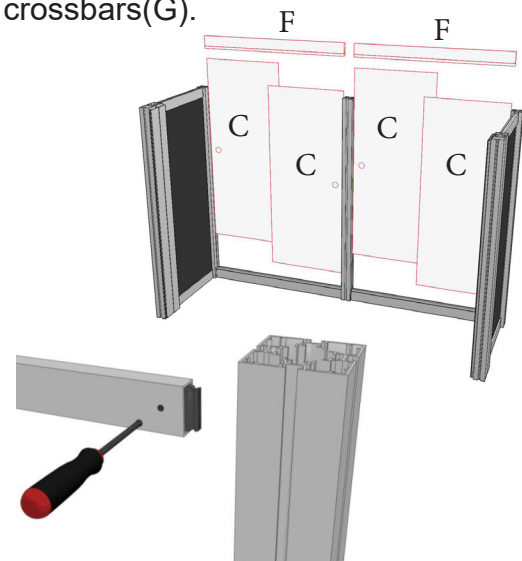
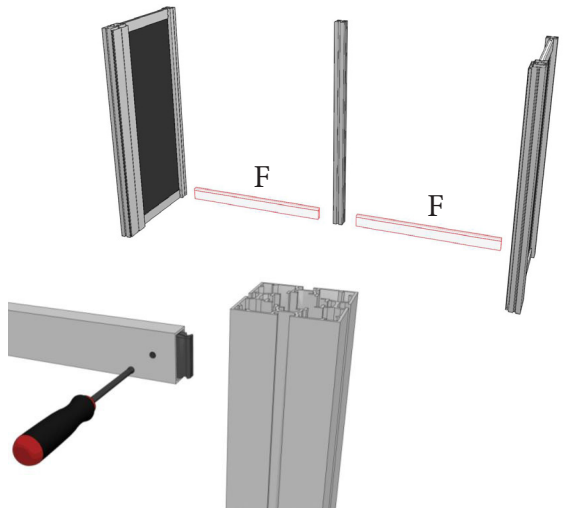


- A.)x4 - L=26 13/16" Front Crossbars
- B.)x2 - Counter Tops
- C.)x4 - Sliding Panel Doors
- D.)x2 - Fabric Graphic (x1 Front x1 Light Blocker)

- E.)x2 - Sides
- F.)x1 - Back Middle Column
- G.)x4 - L=26 1/4" Back Crossbars
- H.)x4 - LED Light Strips (x2 24", x2 12")

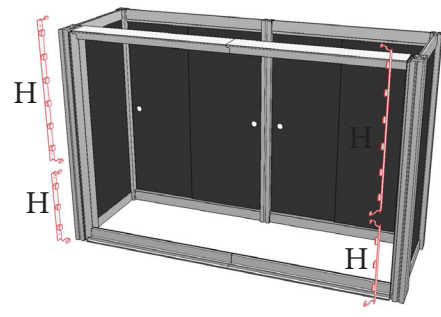
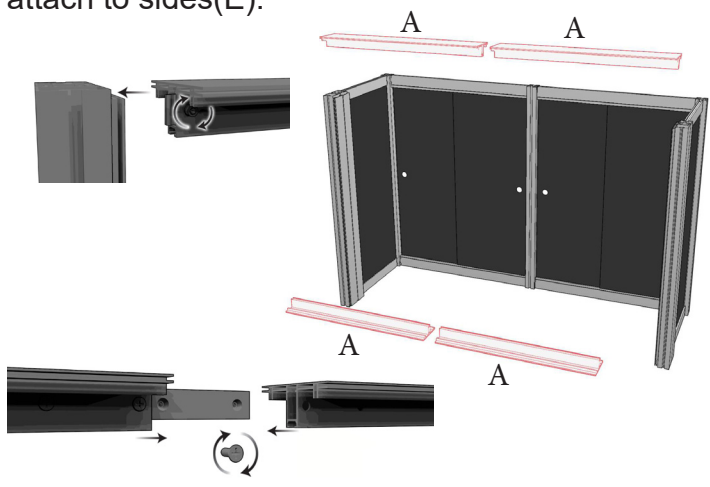
Step 1. Connect sides(E) to back middle column(F) using bottom back crossbars(G).

Step 2. Slide door panels(C) down; attach top back crossbars(G).



Step 3. Assemble 2-piece front crossbars(A) attach to sides(E).

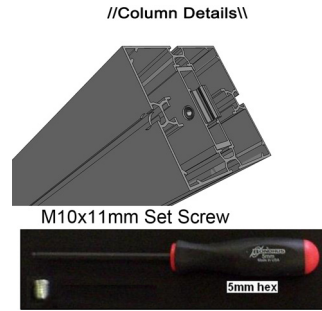
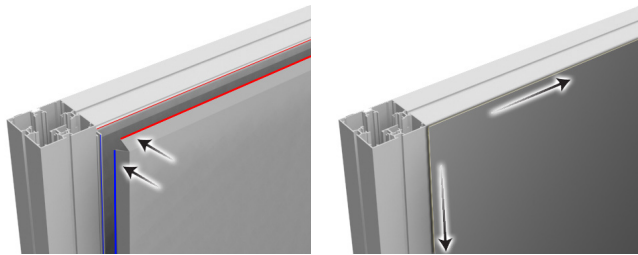
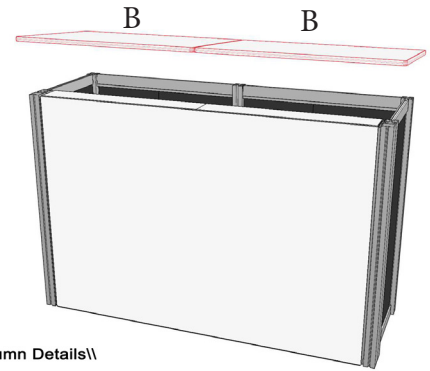
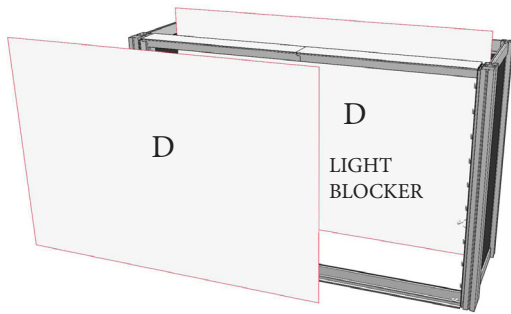
Step 4. Attach LED light strips(H) to sides(E).



Xrline

Step 5. Attach Light Blocker(D) to inside front crossbars(A); attach Front Graphic(D) to frontside of front crossbars(A) .

Step 6. Attach top(B) to side columns, tighten CBXs to secure.



COMPLETE

